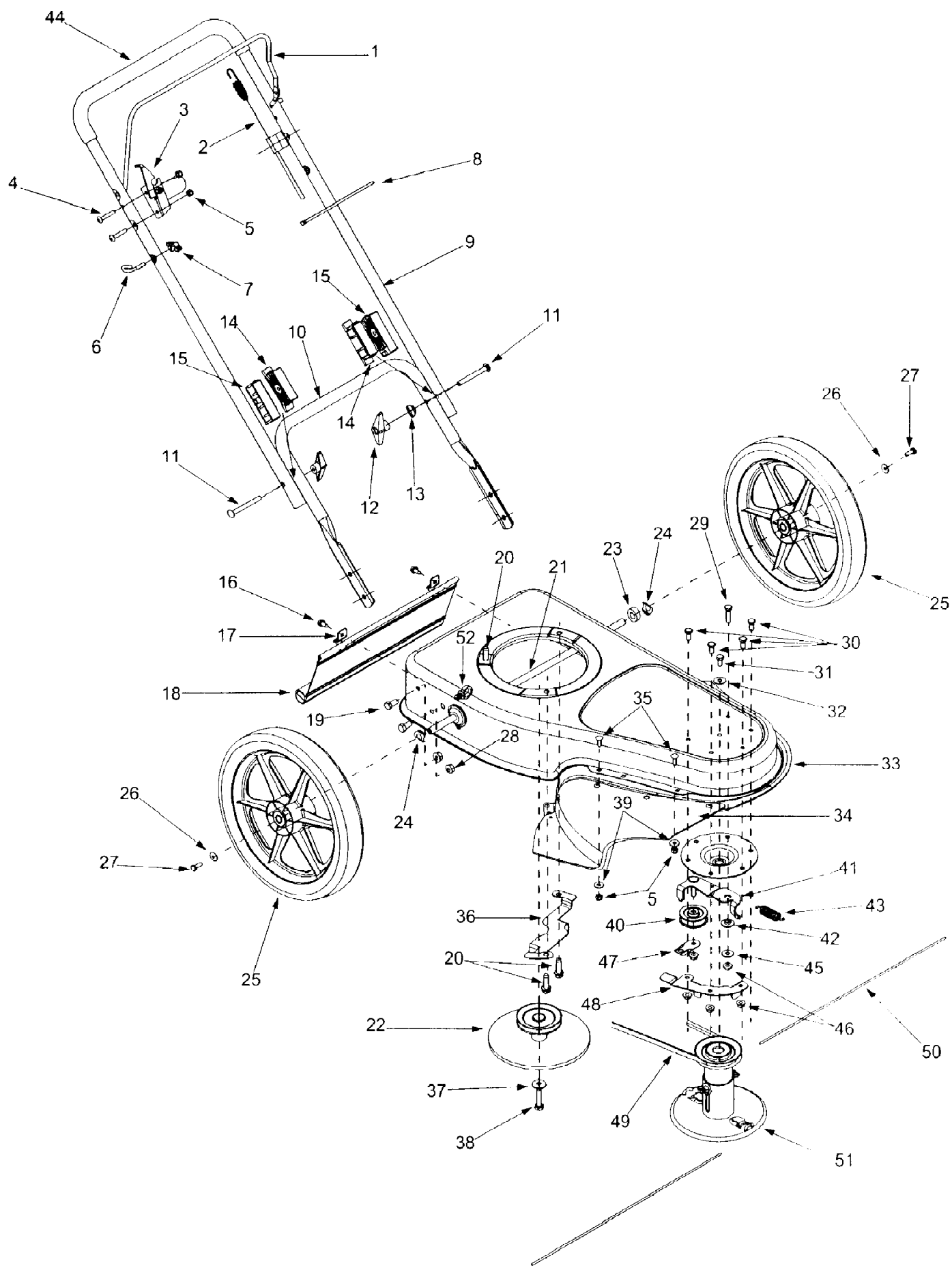


25A-258H190 HWT-622 Trimmer Mower (2001)  
Trimmer Mower Assembly



25A-258H190 HWT-622 Trimmer Mower (2001)  
Trimmer Mower Assembly

Page 2 of 3

Ref #	Part Number	Qty	S/P/F	Description
1	747-0824	1	S	Control Lever
2	746-1116A	1	S	Engagement Cable
3	681-0166	1	S	Control Lock Bracket
4	710-0578	1	/P	Machine Screw 1/4-20 x 1.50
5	712-0324	1	/P	Hex Lock Nut 1/4-20
6	710-1205	1	/P	Eye Bolt 1/4-20
7	720-0279	1	/P	Wing Nut
8	726-0240	1	S	Cable Tie
9	749-1255	1	S	Upper Handle
10	749-1254	1	S	Lower Handle
11	710-0450	1	/P	Carriage Screw 5/16-18 x 3.0
12	720-0284	1	S	Wing Nut
13	736-0451	1	S	Shoulder Washer.320 ID x .93 OD
14	731-1267	1	/P	Lower Handle Connector
15	731-1268	1	/P	Upper Handle Connector
16	710-0896	1	/P	Hex Washer Screw 1/4-14 x .625
17	782-9065	1		Trail Shield Clip
18	731-2329	1		Trail Shield
19	710-0216	1	/P	Hex Cap Screw 3/8-16 x .750
20	710-0502A	1	/P	Hex Washer Screw 3/8-16 x 1.25
21	681-0159	1		Trimmer Axle
22	756-1192	1	S	Flywheel Pulley
23	750-1240	1		Spacer .51 ID x 1.0 OD
24	736-0182	1	/P	Spacer Washer .501 ID x 1.0 OD
25	734-2030	1		Wheel Assembly
26	736-0270	1	/P	Bell Washer .265 ID x .75 OD
27	710-3015	1	/P	Hex Cap Screw 1/4-20 x .75
28	712-3005	1	S	Flange Lock Nut 3/8-16
29	710-1694	1		Screw 5/16-18 x 1.25
30	710-1307	1		Screw 5/16-18 x .75
31	710-0237	1	/P	Hex Cap Screw 5/16-24 x .625
32	736-0425	1	S	Bell Washer .325 ID x .930 OD
33	681-0165	1	/P	Trimmer Base Assembly
34	631-0096	1	/P	Trimmer Deflector Assembly
35	710-0703	1	/P	Hex Carriage Screw 1/4-20 x .75
36	781-1007	1		Belt Keeper Bracket Engine
37	736-0452	1	S	Bell Washer .396 ID x 1.14 OD
38	710-1044	1	/P	Hex Cap Screw 3/8-24 x 1.50
39	736-0173	1	/P	Flat Washer .28 ID x .74 OD
40	756-1198	1		Idler Pulley
41	681-0181	1	S	Idler Bracket Assembly
42	750-1275	1		Idler Spacer
43	732-1166	1		Extension Spring .50 Dia x 1.88 Lg
44	720-0295	1	/P	Handle Grip
45	736-0371	1	/P	Flat Washer
46	712-3004A	1	/P	Flange Lock Nut 5/16-18
47	781-1028	1		Idler Keeper Bracket
48	781-1020	1	S	Belt Keeper Bracket Front
49	754-0625	1	S	V-Belt
50	OEM-743-0112	1	/P	Trimmer Line .155 Dia.
51	618-0558	1	S	Spindle Assembly, includes 782-0143
	782-0143	1	S	Skid Assembly (use with 618-0558) not shown
	710-3013			Machine Screw 1/4-20 X .5 GR5 not shown

25A-258H190 HWT-622 Trimmer Mower (2001)  
Trimmer Mower Assembly

Ref #	Part Number	Qty	S/P/F	Description
	712-0291	1	S	Hex Lock Nut 1/4-20
52	726-3055	1		Cable Retainer Clip